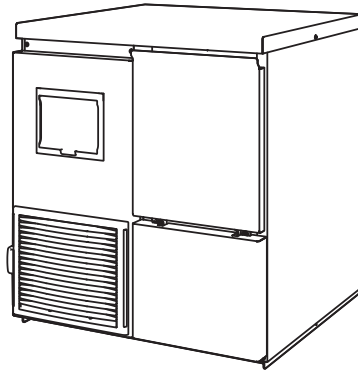

FM-150KE
FM-150KE-N
CM-140KE
FM-150KE-50
FM-150KE-50-N
FM-80KE
FM-80KE-N



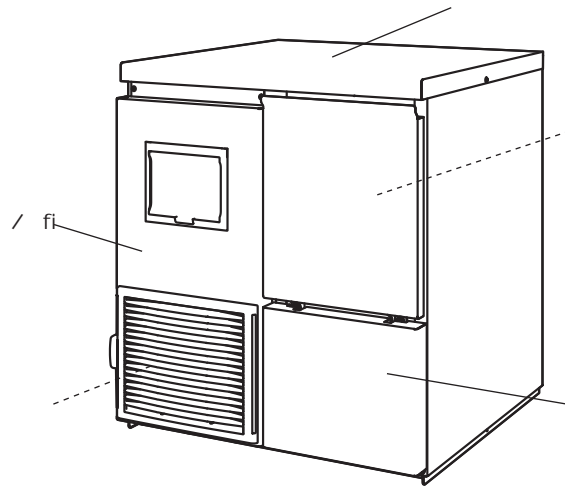
()

▲▲	
▲▲	
▲▲	

▲	
fl	
fl	
fl	
fl	*
fl	
fl	
fl	

1.

1.



2.

▲				
▲				
&''				
<table border="1"><tr><td style="text-align: center;">15cm</td><td style="text-align: center;">15cm</td></tr><tr><td style="text-align: center;">15cm</td><td style="text-align: center;">15cm</td></tr></table>	15cm	15cm	15cm	15cm
15cm	15cm			
15cm	15cm			
<table border="1"><tr><td style="text-align: center;">15cm</td><td style="text-align: center;">15cm</td></tr><tr><td style="text-align: center;">15cm</td><td style="text-align: center;">15cm</td></tr></table>	15cm	15cm	15cm	15cm
15cm	15cm			
15cm	15cm			

3.

▲

fi

fi

!

4.

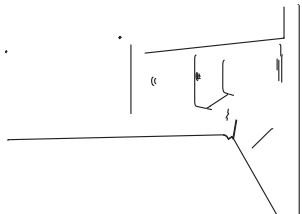
▲
/ fi

fi

fi

fi

II.

▲


%

▲
fi / fi
fi / ;;ž#ž fi
fi
fi

1.

fi
fi

A88 / fi ž A@ / fi
 A@ / fi ž

2

6D3:@ EFAB
 6D3:@

3.

▲

\$ \$

#fi \$ž

\$fi A 88 / fi

%fi

&fi

' fi

(fi

)fi

*fi #ž

III.

1.

▲
▲
/ fi / fi
&"

[a]

[b] ()

#fi # & 'ž' .

\$fi %

%fi

&fi

[c] ()

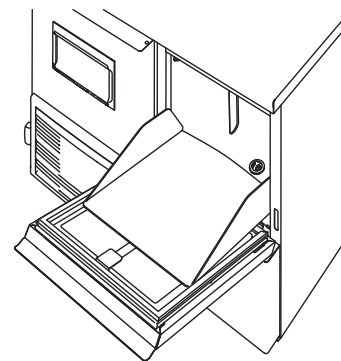
#fi

\$fi

%fi

&fi

' fi #* 'ž' .



(fi

)fi

*fi

+fi

[d]

[e]

#fi

\$fi

%fi

3.

▲

[a]

7

EO	
E1	
E2	
E3	#"
E4	
E5	
E8	#"
EA	
Eb	
EC	
EE	
EF	
EH	
EL	
En	
EU	

[b]

fi
fi
fi

4.

5.

!

!

!

!

!

/ fi
 /" \$#fi \$\$* Z* ##
 /" \$#fi \$\$* Z' ##%

(

	8? ž# ' "=7	8? ž# ' "=7ž@	5? ž#&" =7
	\$\$" \$&" H' " :	\$\$" \$&" H' " :	\$\$" \$&" H' " :
	(&"	(&"	(&"
\$&	# "]Y / # " † # " fi	#&"]Y / # " † # " fi	#&"]Y / # " † # " fi
	(&" _ _ /1 fi° (" _ _ /6fi° * " " /) + * ž * %&f_l _ / : fi	(&" _ _ /1 fi° (" _ _ /6fi° * " " /) + * ž * %&f_l _ / : fi	(&" _ _ /1 fi° (" _ _ /6fi° * " " /) + * ž * %&f_l _ / : fi
	D#%&S! \$\$" Y	D#%&S! \$\$" Y	D#%&S! \$\$" Y
) #] Y / * \$] Y fi) #] Y / * \$] Y fi) #] Y / * \$] Y fi
	' ž&"	' ž&"	' ž&"
	' %	' %	' %
	" ž ' " ž * ? BS / " ž * TSdfi	" ž ' " ž * ? BS / " ž * TSdfi	" ž ' " ž * ? BS / " ž * TSdfi
	f # " .	f # " .	f # " .

	8? ž# " "=7ž "	8? ž# " "=7ž " ž@
	\$\$" \$&" H' " :	\$\$" \$&" H' " :
	(&"	(&"
\$&	# "]Y / # " † # " fi	#&"]Y / # " † # " fi
	+&" _ _ /1 fi° (" _ _ /6fi° * " " /) + * ž * %&f_l _ / : fi	+&" _ _ /1 fi° (" _ _ /6fi° * " " /) + * ž * %&f_l _ / : fi
	D#%&S! \$\$" Y	D#%&S! \$\$" Y
	* #] Y / +&] Y fi	* #] Y / +&] Y fi
	' ž&"	' ž&"
	' %	' %
	" ž ' " ž * ? BS / " ž * TSdfi	" ž ' " ž * ? BS / " ž * TSdfi
	f # " .	f # " .

	8? ž* "=7	8? ž* "=7ž@
	\$\$" \$&" H' " :	\$\$" \$&" H' " :
	% "	% "
\$&	*] Y / # " † # " fi	('] Y / # " † # " fi
	(&" _ _ /1 fi° (" _ _ /6fi° * " " /) + * ž * %&f_l _ / : fi	(&" _ _ /1 fi° (" _ _ /6fi° * " " /) + * ž * %&f_l _ / : fi
	D#%&S! \$\$" Y	D#%&S! \$\$" Y
	('] Y /)'] Y fi	('] Y /)'] Y fi
	' ž&"	' ž&"
	' %	' %
	" ž ' " ž * ? BS / " ž * TSdfi	" ž ' " ž * ? BS / " ž * TSdfi
	f # " .	f # " .

94 &)" (ž#
94 &)" (ž#%

