



## DCM-80LS-HC



DCM ( CM ) / /

R290 HC

:80kg



DCM-80LS-HC



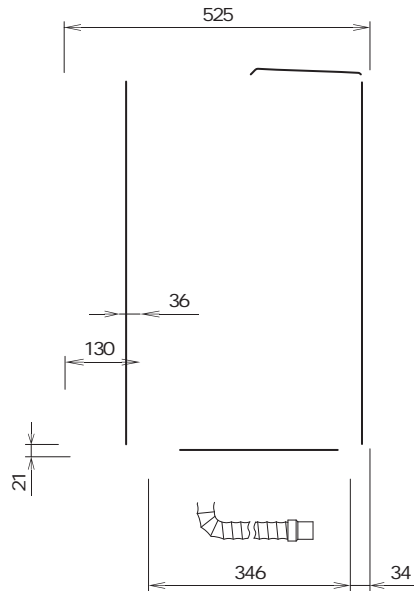
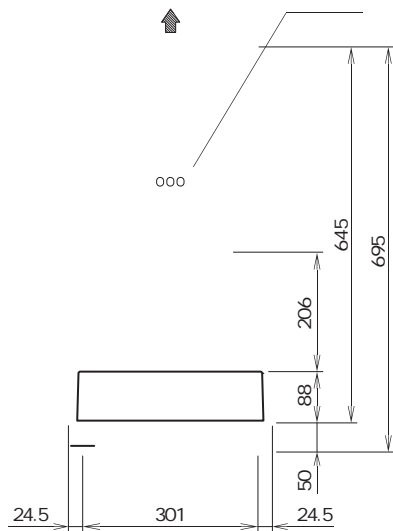
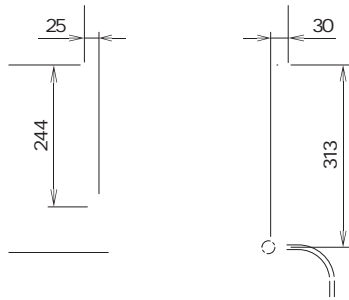
DCM-80LS-HC	80	65	50	130	115	99
					*1 /	**40g/

DCM-80LS-HC	0.08	0.065	0.05	290	0.1	13.92
					*	32 21

:80kg

DCM-80LS-HC

: Rc1/2" : 30 1000 : 2700



350( )±525( )±695( )mm
650( )±675( )±845( )mm
1.9kg
41kg/ 44kg
400( )±581( )±749( )mm
R290
( ) ABS

220~240V 50Hz
1.7A/ : 8.3A
0.48KVA(2.1A)

5~40
5~35
0.5~7.8bar
±6%

\*